



SWINGING



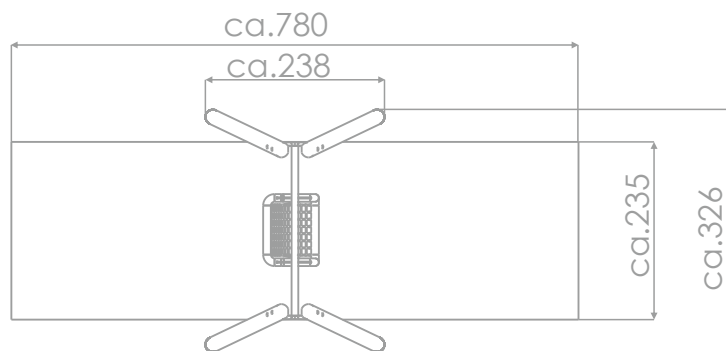
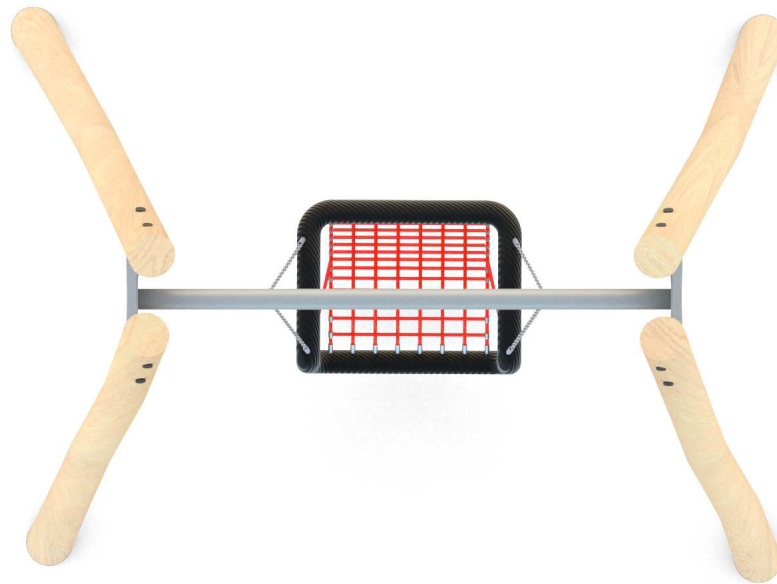
SOCIALIZING



### INFORMATION ABOUT THE PRODUCT

Dimensions	ca. 238 x 326 cm
Safety zone	ca. 780 x 235 cm
Overall height	ca. 250 cm
Free fall height	ca. 143 cm
Amount of users	1 person
Product complies with EN 1176-1:2017-12	YES
Availability of spare parts	YES
Age range	1-12
<small>According to EN 1176-1:2017-12 norm, the product requires applying a safety surface according to the product's free fall height.</small>	

Visualisation is for reference only,  
actual appearance may vary.



SCALE 1:100

MATERIALS:

NATURAL ROBINIA WOOD



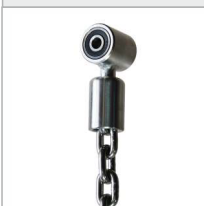
ATTESTED 6 MM STAINLESS STEEL CHAINS



SOLID CONSTRUCTION MADE OF BLACKSTEEL S235JR, CLEANED IN THE SANDBLASTING PROCESS



SWINGS, SLINGS WITH DOUBLE BEARINGS MADE OF STAINLESS STEEL



APPROVED SEAT - SEAT TYPE - HANGED ON 6 MM CHAINS MADE OF STAINLESS STEEL. METAL FRAME COVERED BY SOFT POLYPROPYLENE ROPE



OPTIONAL:

APPROVED SEAT MADE WITH ROTOMOULDED METHOD, DEDICATED FOR DISABLED USERS



„BIRD NEST“ TYPE SEAT WITH A DIAMETER OF 100 CM, HANGED ON 6 MM STAINLESS STEEL CHAINS

